



Illustrated Parts List

Pressure Washer / Lavadora de Presión
Model / Modelo 020293



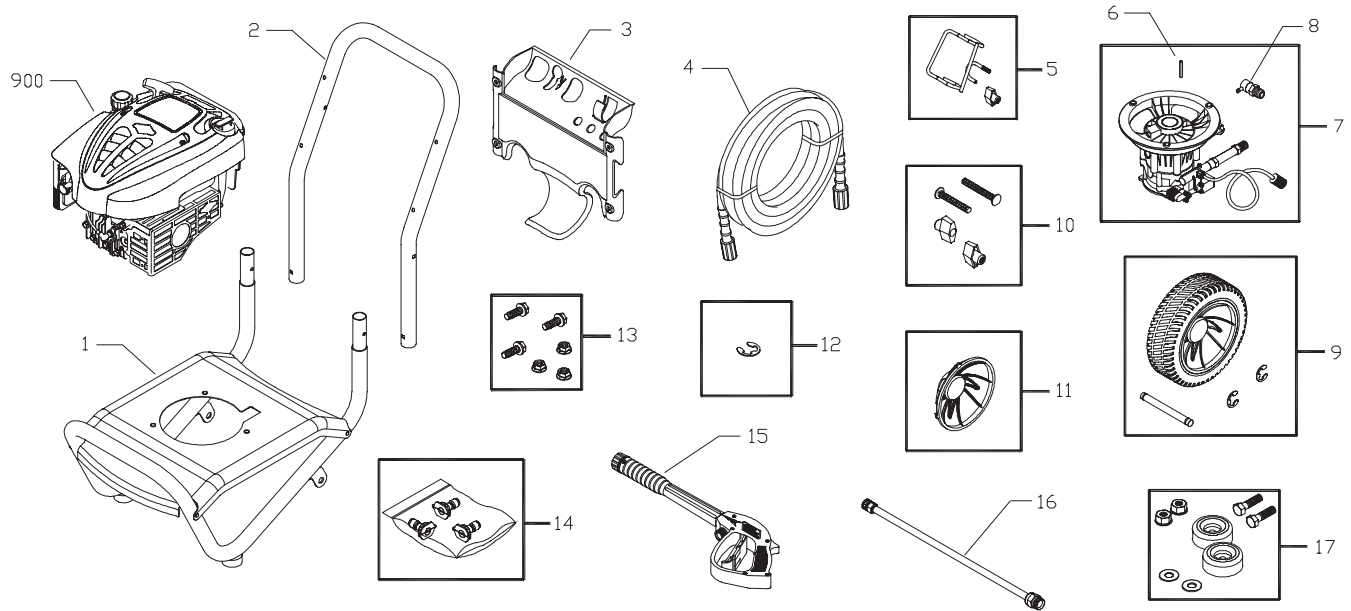
Questions? Preguntas?
Helpline - 1-888-611-6708 M-F 8-5 CT

Troy-Bilt® is a registered trademark of MTD Products Inc and is used under license to Briggs & Stratton Power Products.
Troy-Bilt® es una marca registrada de MTD y se usa abajo licencia a Briggs & Stratton Power Products

Briggs & Stratton Power Products Group, LLC
Jefferson, Wisconsin, U.S.A.

Exploded Views and Parts List

EXPLODED VIEW AND PARTS LIST — MAIN UNIT



Item	Part #	Description
1	201560GS	ASSY, Base
2	P199110GS	HANDLE
3	201371GS	KIT, Billboard with Clips
	195964GS	Clips, Tree
4	196006GS	HOSE, 25'
5	201661GS	KIT, Gun Holder
6	23139GS	KEY
7	199735GS	ASSY, Pump
8	194298GS	VALVE, Thermal Relief
9	201394GS	KIT, Wheel
10	B2203GS	KIT, Handle Connector
11	200519GS	CAP, Hub
12	192050GS	KIT, E-Ring 1/2"
13	192645GS	KIT, Pump Mounting Hardware
14	201324GS	KIT, Nozzles
	198841GS	Nozzle, Soap
	195983AEGS	Nozzle, QC, Red
	195983QGS	Nozzle, QC, Grn
15	193482GS	GUN

Item	Part #	Description
16	190779GS	ASSY, Extension
17	192310GS	KIT, Vibration Mount
900	§	ENGINE

Parts Not Illustrated

201334GS	MANUAL, Operator's
194256GS	KIT, Tag/Waring
201313GS	AXLE, 1/2
BB3061BGS	OIL BOTTLE
30809GS	GROMMET
87815GS	GOGGLES

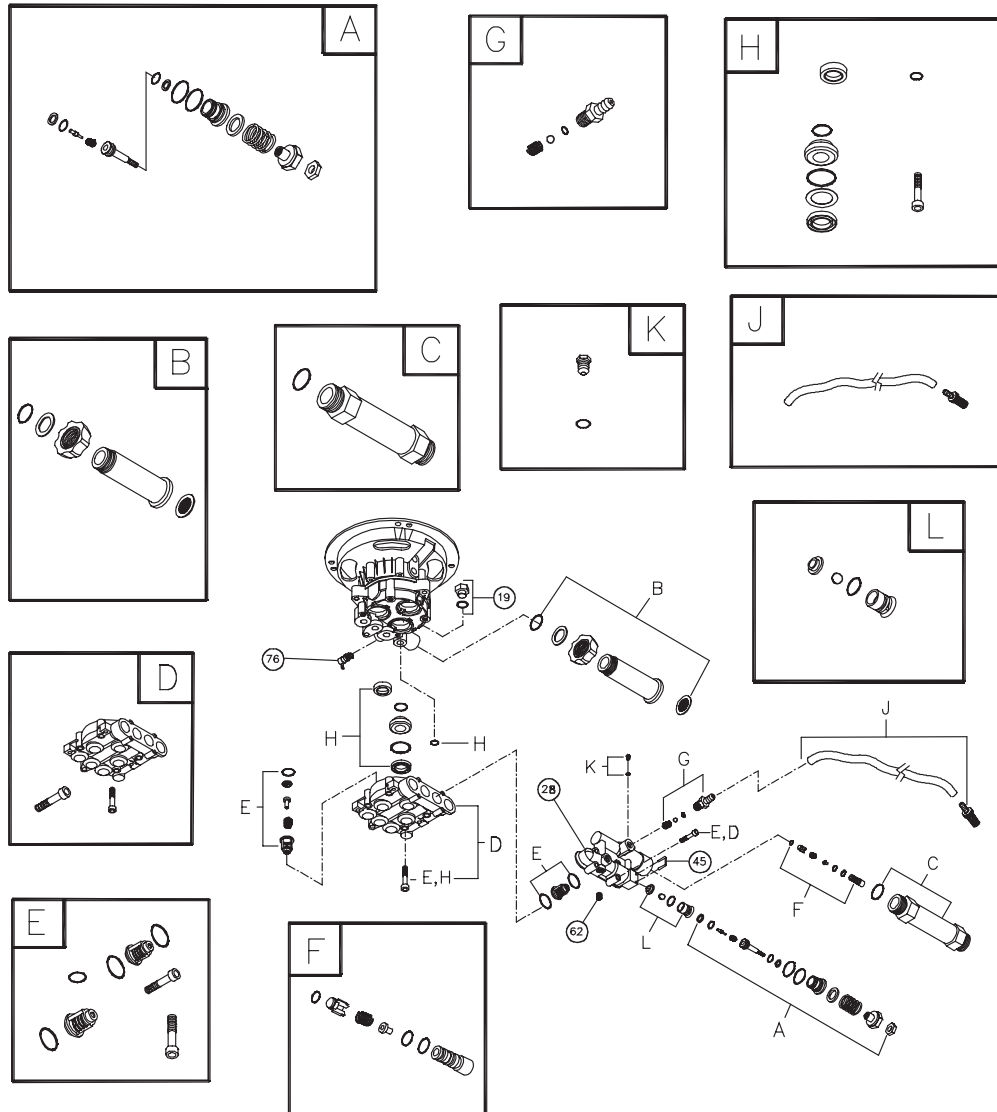
Optional Accessories

5041D	STABILIZER, Fuel
6048	KIT, O-Ring
6039	PUMP SAVER

§ - Contact Engine Manufacturer

Exploded Views and Parts List

EXPLODED VIEW AND PARTS LIST — PUMP



Item	Part #	Description
19	190571GS	CAP, Oil
28	190627GS	MANIFOLD
45	190578GS	PIN
62	190581GS	CAP, 1/8
76	194298GS	THERMAL RELIEF
A	190594GS	KIT, UNLOADER STEM
B	190632GS	KIT, WATER INLET, ALUM
C	190634GS	KIT, OUTLET, ALUM
D	193808GS	KIT, HEAD BRASS
E	193806GS	KIT, CHECK VALVES

Item	Part #	Description
F	190592GS	KIT, INLET CHECK
G	190593GS	KIT, CHEMICAL INJECTION
H	193807GS	KIT, SEAL SET
J	189971GS	KIT, CHEMICAL HOSE
K	193971GS	KIT, PIPE FITTING
L	193972GS	KIT, UNLOADER SEAT

NOTE: Item letters A - L are service kits and include all parts shown within the box.